

XVISION PORTABLE

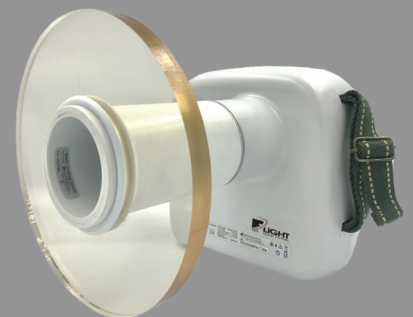
FLIGHT DENTAL SYSTEMS



SAFE & RELIABLE ERGONOMIC DESIGN

LONGEST BATTERY LIFE ON THE MARKET up to 800 Exposures

The Flight X-Vision Portable Handheld X-Ray is an ultra-safe state of the art system that has lower radiation levels than your traditional wall mounted x-rays. In addition, the ergonomic design allows the x-ray to be comfortably held in your hands and with one of the most intuitive and easy to use interfaces it makes doing a full mouth series even faster and more efficient. The X-Vision features the longest battery life on the market, with a full charge, it is able to take up to 800 shots with very low exposure times while producing the best quality images whether it's on film, digital sensor or phosphorus plates. Finally, with the use of high quality components, from the Panasonic battery to the Toshiba tube head, made in Japan, the X-Vision is the workhorse X-Ray for every office.



Flight Dental Systems 21 Kenview Blvd., Unit 9, Brampton, ON, Canada L6T 5G7
Tel. 905.799.0517 Toll Free 1.866.799.0517 www.flightdentalsystems.com info@flightdentalsystems.com

LIGHTWEIGHT PORTABLE X-RAY



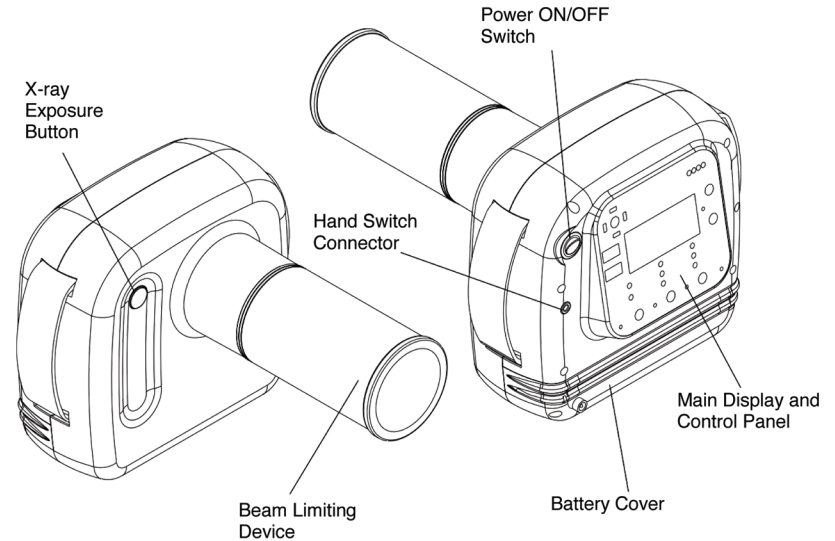
DUAL RADIATION PROTECTION

INTERNAL SHIELDING

The built-in internal lead shielding provides excellent protection for the operator and patient.

EXTERNAL BACKSCATTER SHIELD

Radiation may reflect off external surfaces and bounce back to the operator. The Backscatter shield protects against unintentional reflection of radiation during operation with a 0.25mm lead equivalent shield.



Specifications

Focal Spot:	0.4mm	X-Ray Field:	60mm Diameter
Tube Voltage:	60Kv (Fixed)	Maximum Duty Cycle:	1:30 + 5 sec
Tube Current (ma):	2.0mA (Fixed)	Power Input:	24VDC
Exposure Time Range:	0.02-2 secs	Weight:	6.8lbs (3.1kg)
Total Filtration:	1.6mmAl	# of Exposures on Full Charge:	800
Source to Skin Distance:	200mm		

*This is an FDA approved product. Resellers please ensure that you have the proper state registrations for the sale of x-rays.